

QUADROLL®

**QuadRoll- System solution
medium-term signalisation**



A system solution for signalling medium-term construction sites on motorways and highways as well as main and secondary roads.

The QUADROLL system solution includes various rolling signals, attachments and accessories.

QUADROLL signals are a space-saving solution for displaying traffic signs. The QUADROLL attachments enable the mounting of rolling signals or classic traffic signals on control systems such as crash barriers, mobile crash barriers and walls. With the appropriate floor stand, QUADROLL signals can also be used free-standing.

The QUADROLL system has been applied for a European patent.

QUAD

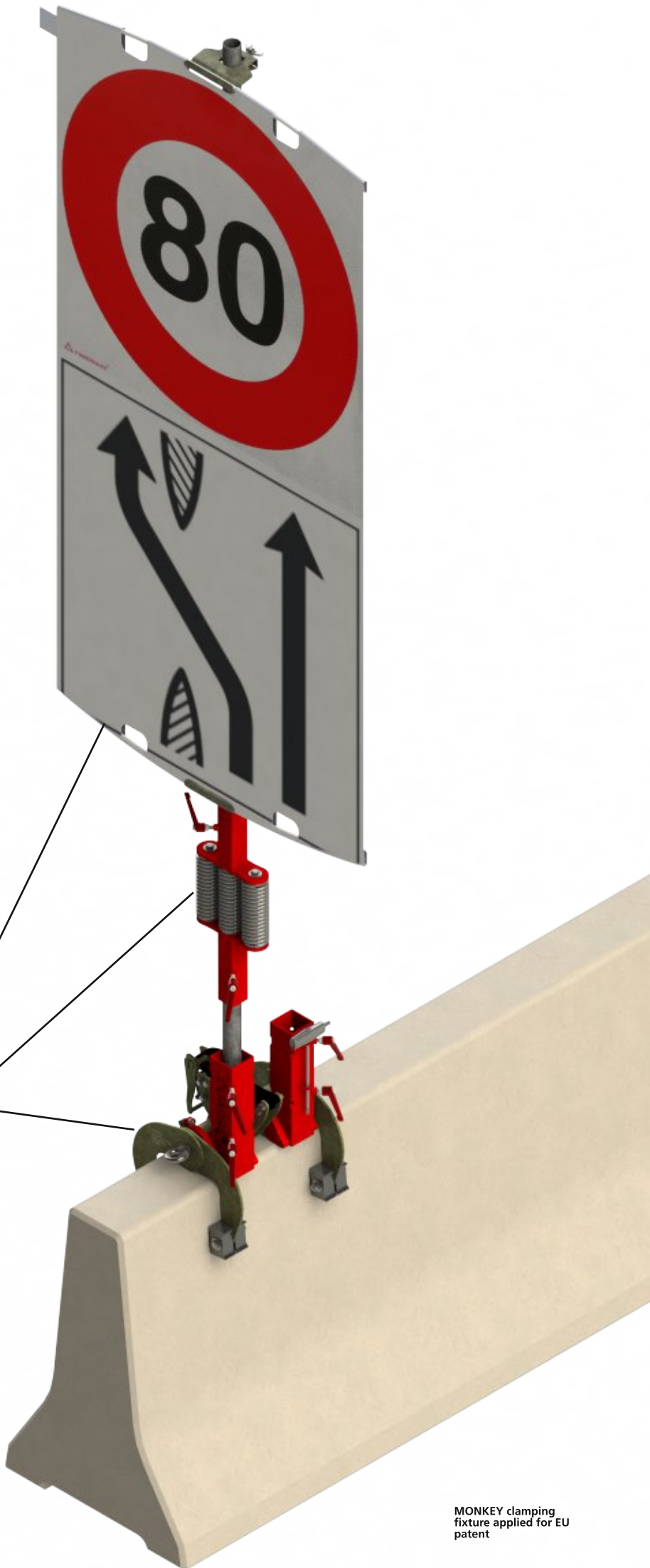


ROLL®




TRIOPAN

Possible variant:
 Mounting on mobile
 protective walls,
 with the mounting
 bracket MONKEY



Details and accessories

SIGNAL

- Tubes and clamps
- Windmaster
- MONKEY

- Page 7
- Page 16
- Page 15
- Page 8/9

Other accessories:

- Offset Page 14
- Twist Page 17
- lamp holder Page 17
- board holder Page 18

Possible variant:
side signalling on
guardrails on the
left or right with
the TOWER bracket



Details and accessories

SIGNAL

Windmaster

Offset

Tubes and clamps

TOWER

bottom claw

Page 7

Page 15

Page 14

Page 16

Page 10/11

Page 14

Other accessories:

lamp holder

Twist

board holder

Page 17

Page 17

Page 18

Possible variant:
Freestanding
QuadRoll SIGNAL
with the floor stand
FLAT

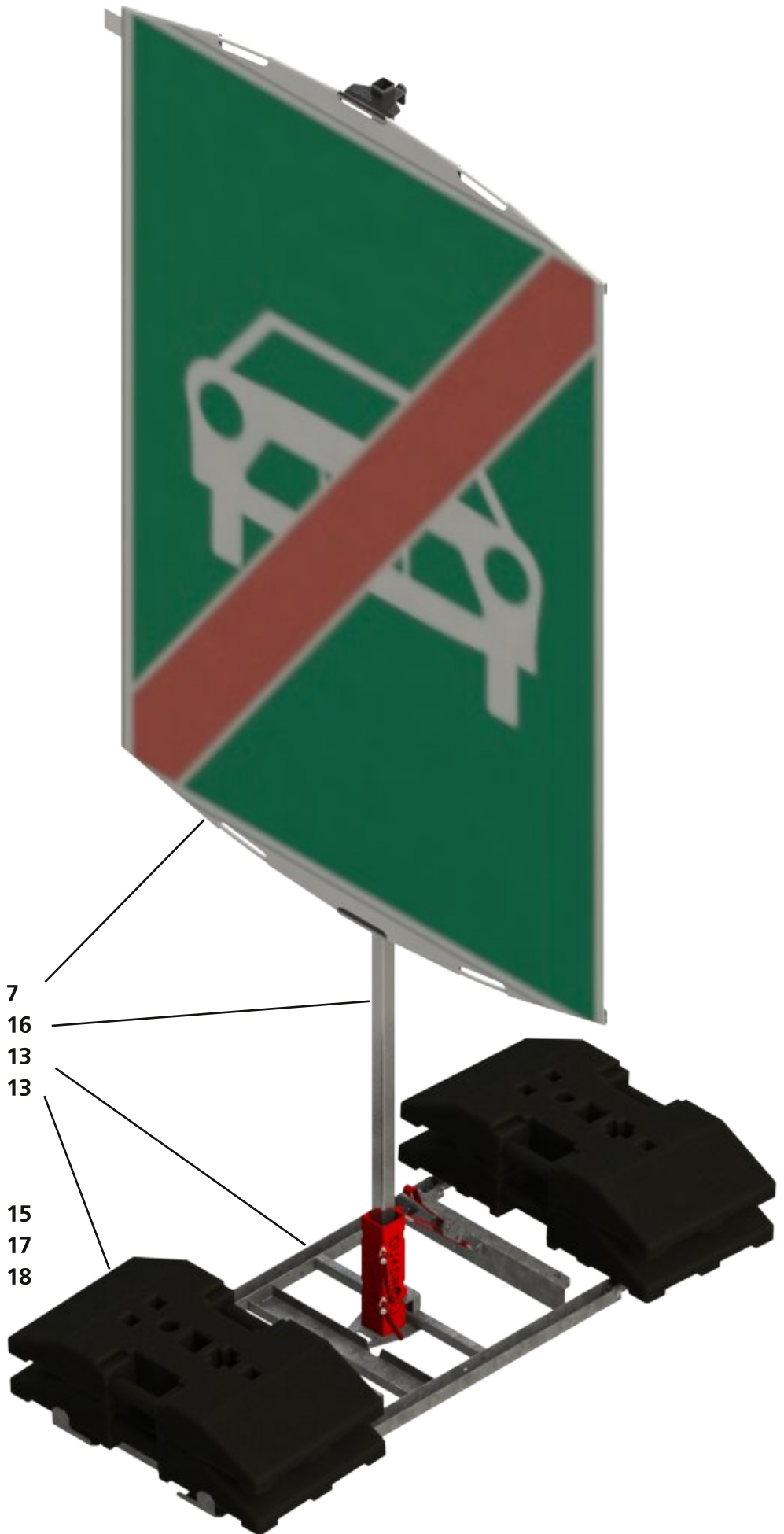
QUADROLL®

Details and accessories

SIGNAL
Tubes and clamps
FLAT
beacon foot

Other accessories:
Windmaster
lamp holder
board holder

Page 7
Page 16
Page 13
Page 13
Page 15
Page 17
Page 18



QuadRoll SIGNAL

QuadRoll signals are custom manufactured and supplied. There are a number of basic designs of dimensions and imprints.

Advantages:

- Fast, safe and crease-free clamping thanks to patented clamping mechanism
- Crease-free signals with long service life thanks to flexible digital printing
- Easy to store, lightweight and rollable
- On request with property notice

The following signal sizes are available: Width

- 40cm
- 60cm
- 70cm
- 90cm
- 120cm
- 150cm

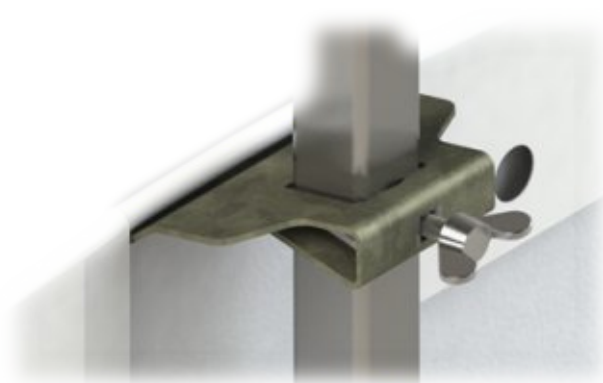
Signal with Velcro strip, e.g. for distance indication. Signals can be mounted on both sides.

QuadRoll-SIGNALE can be stored easily and space-saving on the vehicles thanks to the rolling mechanism.

Tubes and Clamps on page 16



Rolled SIGNAL



QuadRoll MONKEY

No matter which control system, the QuadRoll MONKEY clings to all guidance systems (crash barriers, mobile crash barriers and walls).

The following features make the QuadRoll MONKEY a universal clamping system:

- suitable for every edge and guidance system
- Quick assembly
- Strong fixation
- Angle infinitely adjustable
- Suitable for gloves
- Arm Standard and "long arm" easily and quickly exchangeable
- QuadRoll system clamping tubes up to \varnothing 63mm and 4kt 60mm can be accommodated

The QuadRoll MONKEY can be used directly on all common crash barriers, protective walls and walls in Europe, safely and quickly.

Mass: 21 kg

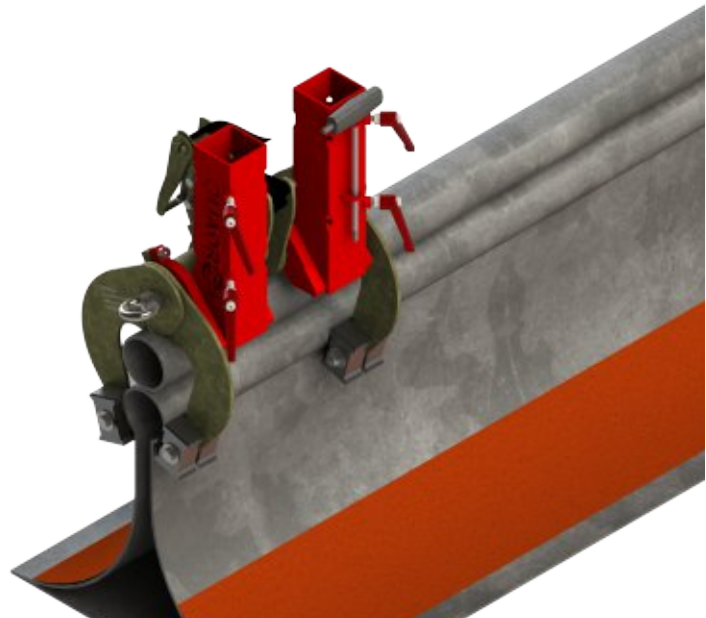
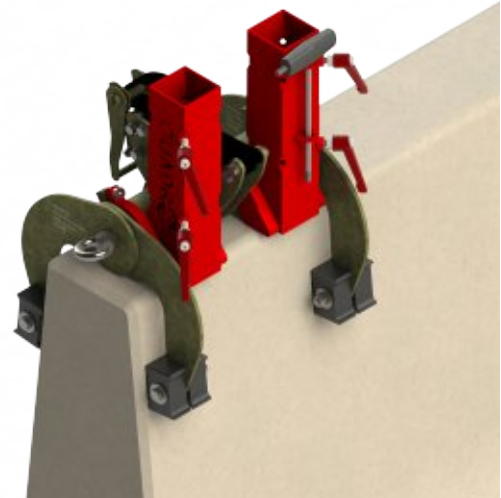
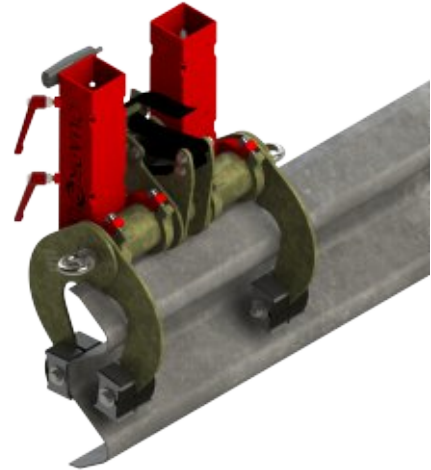
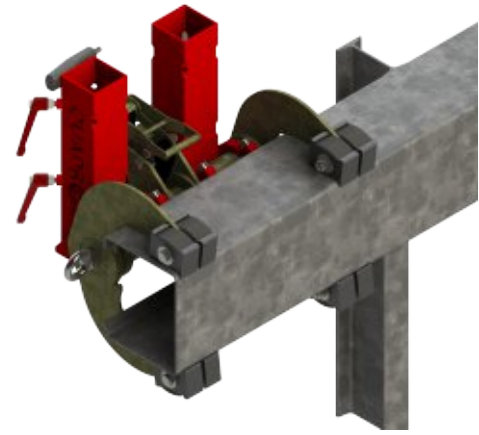
MONKEY opening:

Standard => 0mm - 200mm MONKEY

long arm => 200mm - 400mm Other openings available

- LS 180
- LS 150
- LS A
- Mobile concrete protection wall
- Mobile steel crash barrier
- Walls of any type

Conversion kits on page 19 or on request.



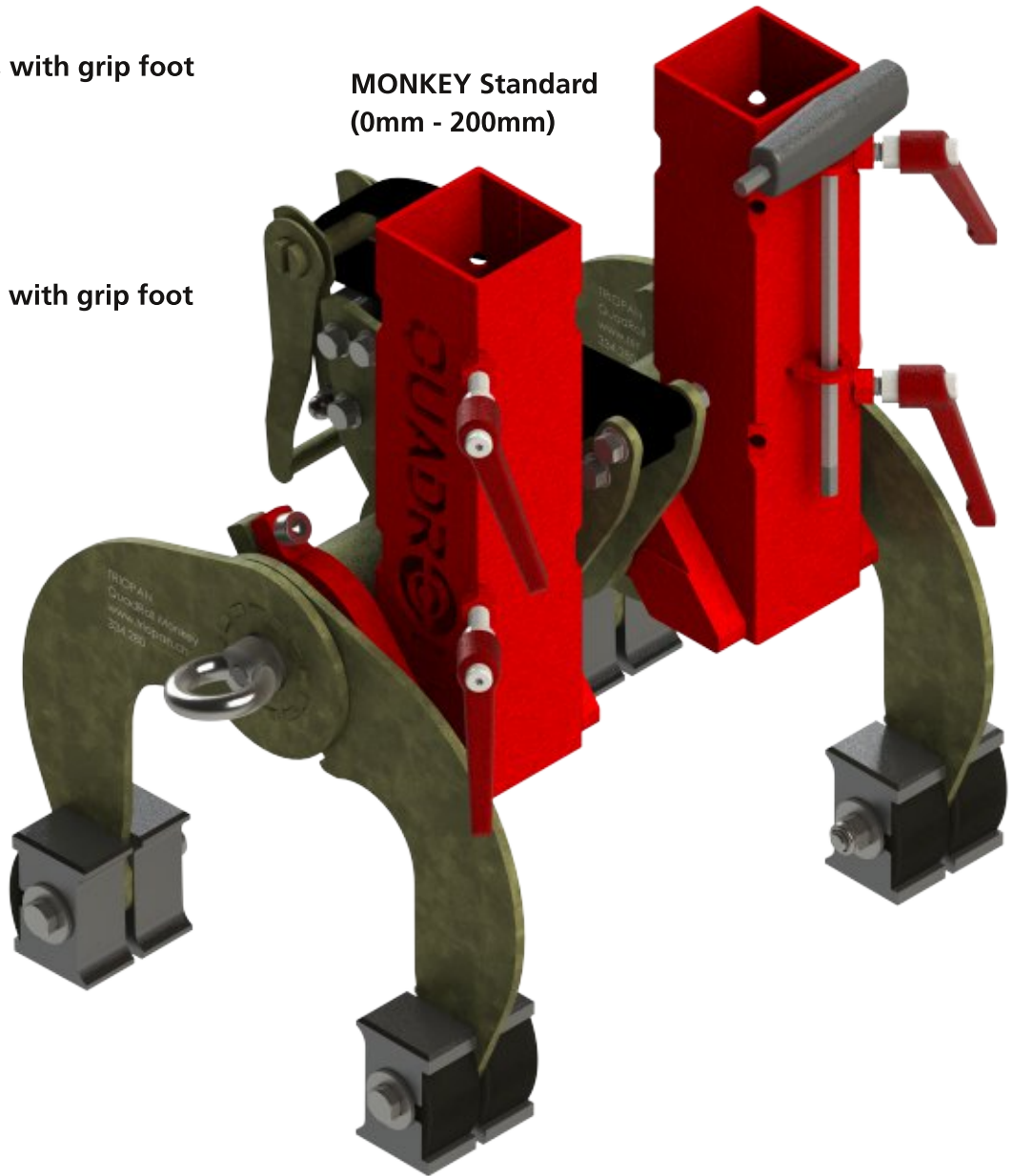
MONKEY Standard
Item: 334.280

MONKEY Standard, with grip foot
Item: 334.779

MONKEY long arm
Item: 334.778

MONKEY long arm, with grip foot
Item: 334.780

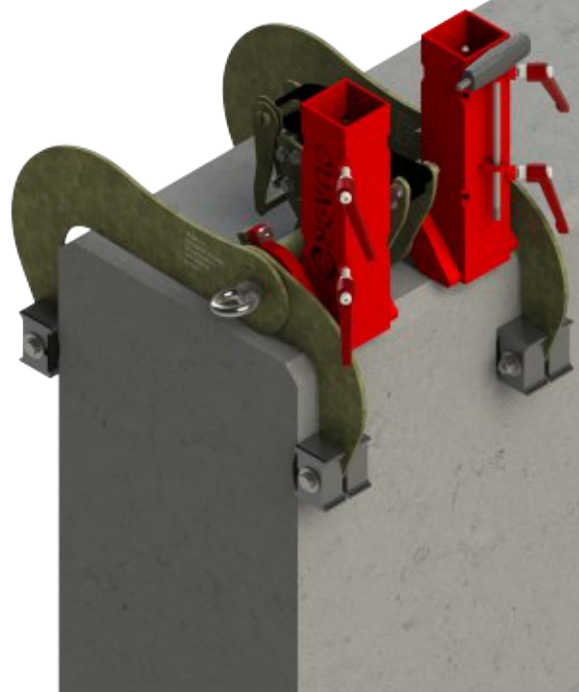
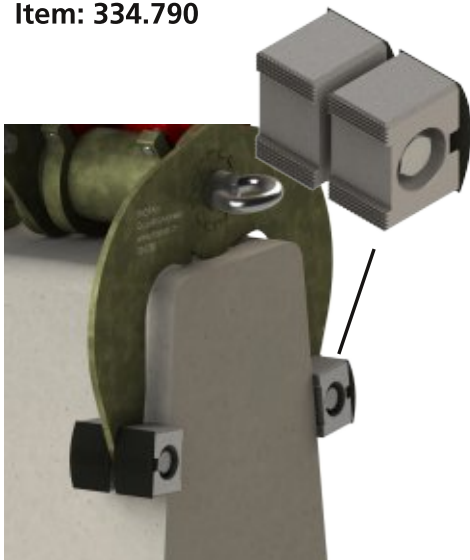
MONKEY Standard
(0mm - 200mm)



QUADRO
LL[®]

MONKEY long arm
(200mm - 400mm)

Flu Foot Kit (for concrete)
Item: 334.790



QuadRoll TOWER

The QuadRoll TOWER is a user-friendly support for guidance systems, namely crash barriers.

The following features make the QuadRoll TOWER irreplaceable:

- Quick assembly without tools
- Strong fixation thanks to tensioning strap and handle screws
- Suitable for gloves
- Minimal overhang to traffic
- QuadRoll system clamping tubes up to \varnothing 63mm and 4kt 60mm can be accommodated

Mass: 9.5 kg

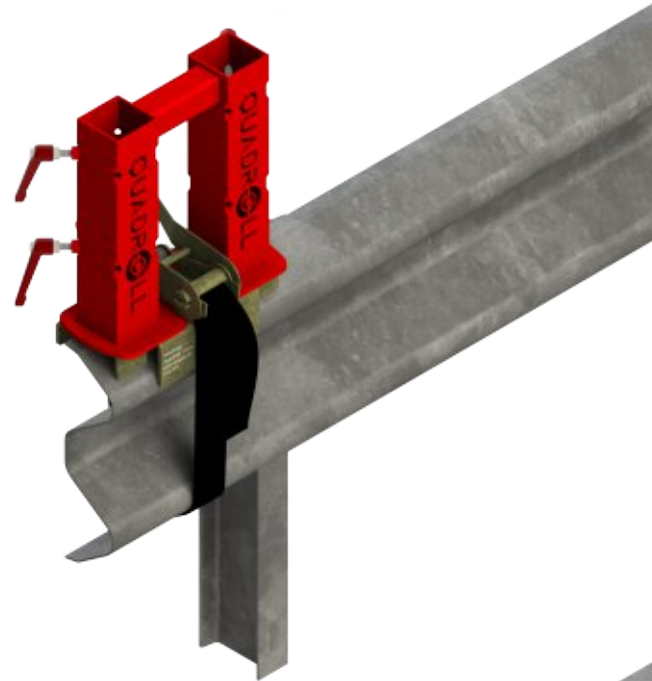
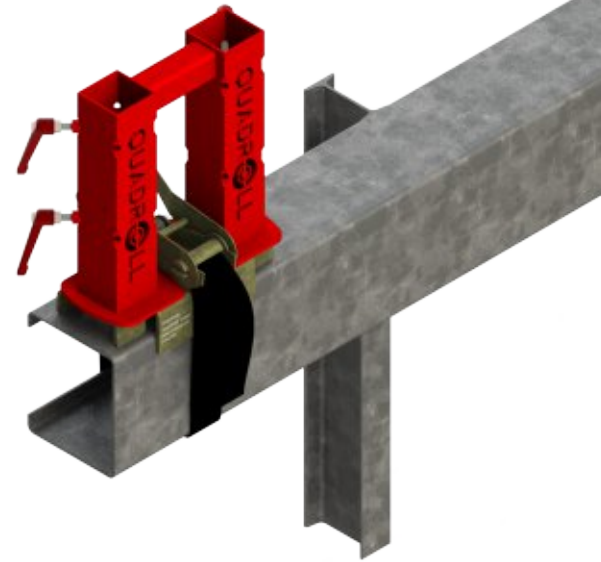
The QuadRoll TOWER can be used directly and without tools on all common guidance systems that allow assembly with a tension strap, safely and quickly.

Suitable for the following crash barriers

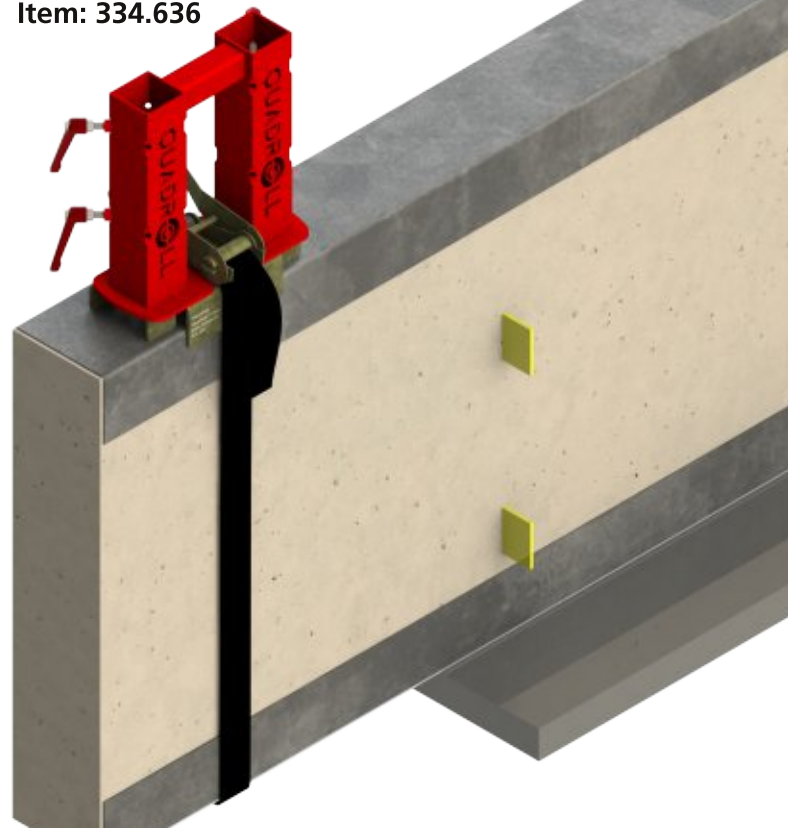
- LS 180
- LS 150
- LS A
- Protec

Conversion kits (e.g. long belt) on page 19 or on request.

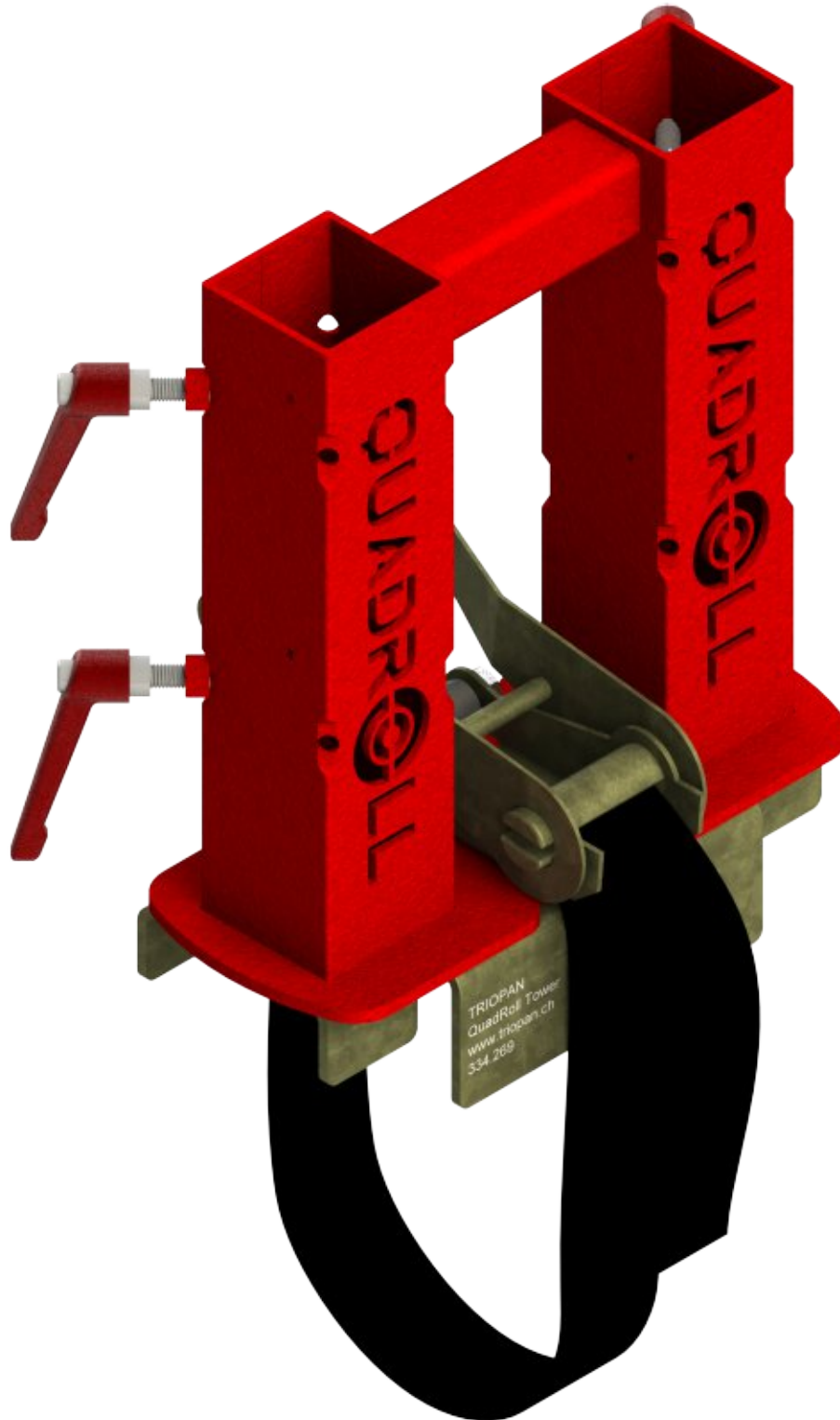
The QuadRoll TOWER is always supplied with edge protection!



TOWER Protec
Item: 334.636



TOWER Standard
Item: 334.269



QUADROLL®

Of course you can use all QuadRoll-holders also conventional signs can be mounted!

QUADROLL®



QuadRoll FLAT

The QuadRoll floor stand (FLAT) allows the freestanding use of QuadRoll SIGNALS or traffic signs.

The following features make the QuadRoll-FLAT irreplaceable:

- Stable in strong wind conditions (see manufacturer's recommendation)
- Ready for operation in a few seconds
- Corrosion resistant
- No tools required for assembly
- Use on asphalt, gravel and meadows
- QuadRoll system clamping tubes up to \varnothing 63mm and 4kt 60mm can be accommodated
- Compact and form-fit stackable

Use in strong wind condition

Recommendation Manufacturer:

- 1 beacon foot each on QuadRoll FLAT at wind speeds up to 55 km/h
- 2 beacon feet each on QuadRoll FLAT at wind speeds over 55 km/h

Safe accessories:

The QuadRoll Windmaster is recommended for wind speeds above 50 km/h.

=> see page 15

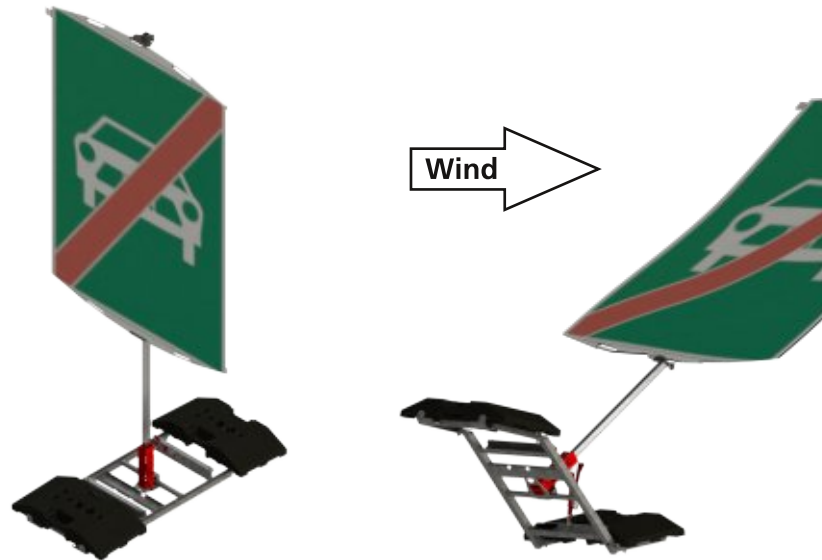
The QuadRoll FLAT can tilt during storms, but cannot fall over. Without moving the position, the FLAT will return to its home position once the gust of wind is over.

The QuadRoll FLAT is suitable for medium-term signalling on motorways, motorways, out-of-town and in-town locations.

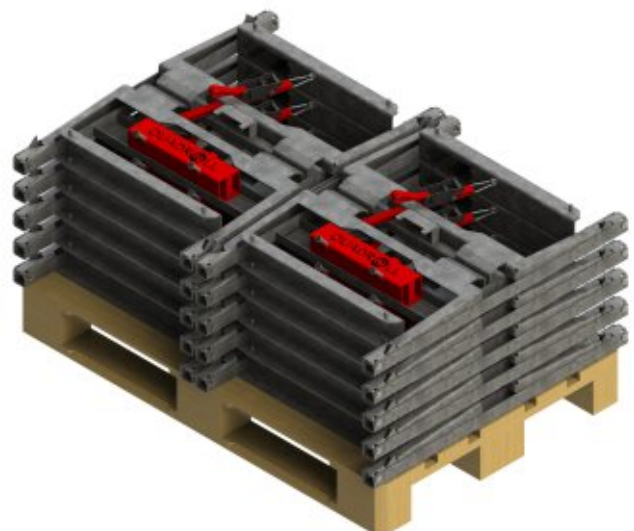
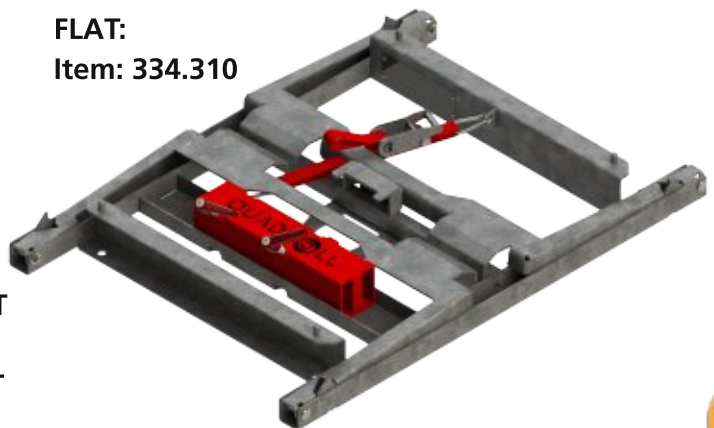
Mass: 22kg

Dimensions Transport:

L x W x H =>840x600x80



FLAT:
Item: 334.310



Bakenfuss 27kg:

Item: 318.144



QUADROLL®

QuadRoll Offset

With the QuadRoll Offset, the signal can be moved variably to the desired position so that signals do not protrude into the carriageway.

Suitable for:

QuadRoll TOWER
QuadRoll MONKEY

The signal tube is guided to the ground for optimum stability.

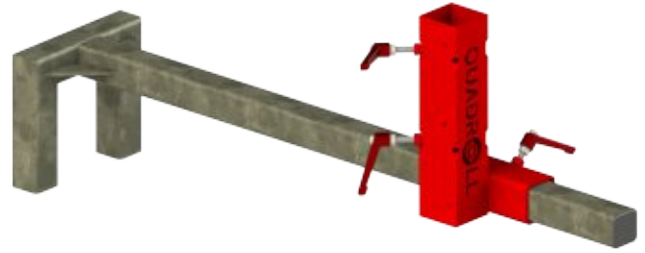
Additional wind stability is provided by the QuadRoll Windmaster (see next page) and the QuadRoll Bottom claw.

QuadRoll Bottom claw

The bottom claw belongs in our system solution to match the QuadRoll offset. This offers a secure stand against sinking in on soft ground, e.g. meadows, while the sharp claws prevent the tube from slipping away.

- recording of QuadRoll system clamping tubes up to \varnothing 63mm and square 60mm
- adapts to the terrain
- Corrosion resistant
- Suitable for gloves

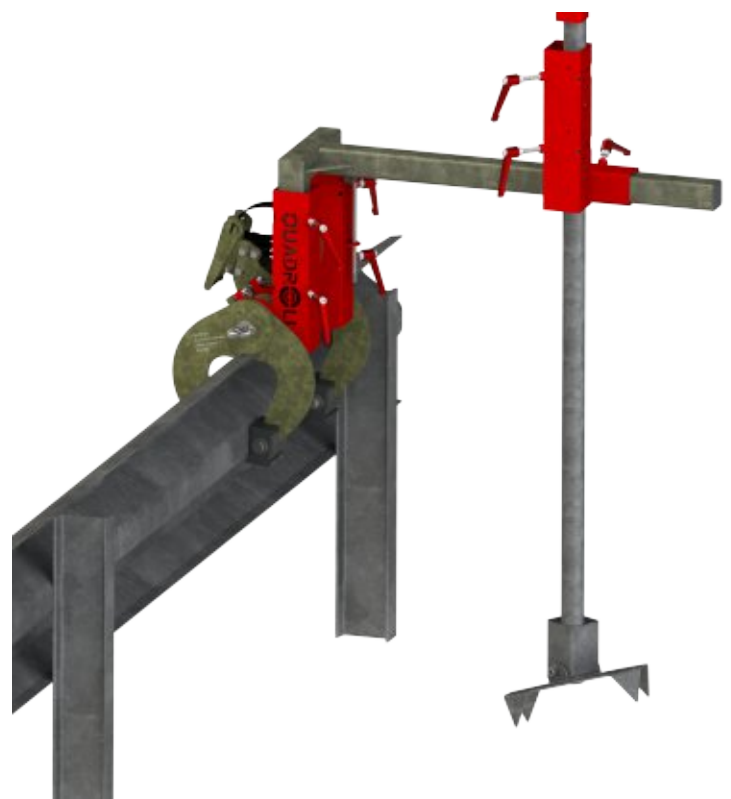
Offset 100cm
Item: 334.634



Offset 75cm
Item: 334.272



Bottom claw:
Item: 334.545



QuadRoll Windmaster

With the QuadRoll Windmaster the built up signalling solution can be protected against strong wind.

The Windmaster catches the strongest gusts.

Recommended use of the manufacturer:
In the case of expected
Wind speeds over 50km/h

- recording of QuadRoll system clamping tubes up to \varnothing 63mm and square 60mm
- High breakaway torque

Windmaster for
signals over 1m²
Item: 334.788

Windmaster for
signals under 1m²
Item: 334.791



QUADROLL®

The Windmaster must be mounted as close as possible to the signal.



QuadRoll System Clamping Tube

With the QuadRoll system tensioning tubes you are not bound to any profile.

The QuadRoll system includes everything you need for signalling.

Available in all lengths:

Square

- 30mm x 30mm Art: 334.331
- 40mm x 40mm Art: 334.332
- 60mm x 60mm Art: 334.333

Round

- ø 33 mm Art: 334.334
- ø 42 mm Art: 334.335
- ø 60 mm Art: 334.336

QuadRoll system clamping tubes - round or square - are made of stainless steel.



QuadRoll Clamp

The clamp patent can be used on the following profiles:

Basic

- Item: 334.496 4kt 30mm
- Item: 334.497 4kt 40mm
- Item: 334.498 4kt 60mm



Premium

- Item: 334.724 ø33mm(1") 4kt 30mm
- Item: 334.725 ø42mm(1 1/4") 4kt 40mm
- Item: 334.723 ø60mm(2") 4kt 50mm

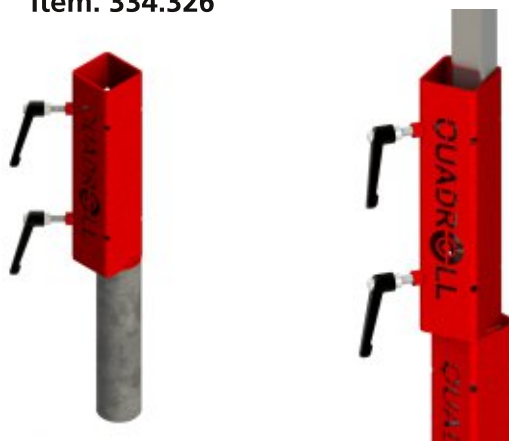


QuadRoll Twist

For night construction sites, to quickly turn the signal by 90°.

Square tubes 30x30 and 40x40 can be used. 60x60 is moved to stop.

Item. 334.326



Lamp holder top

Mounting on hole \varnothing 13 mm (standard)

Item: 334.337



QUADROLL®

Lamp holder bottom

Mounting on lamp holding bracket

Item: 334.338



Signal mounting aid Telescopic rod

The telescopic rod is used to attach the QuadRoll signal to the upper clamp. It allows the signal to be mounted or changed when the signal tube is already set up.

Mounting height up to 3.8m

Length retracted: 102cm
Length extended: 181 cm



QUADROLL®

Holder for TRIOPAN folding signals

Suitable for folding signal size:

90cm
110cm

Item: 334.330



Universal board holder

One holder for all common profiles and combinations.

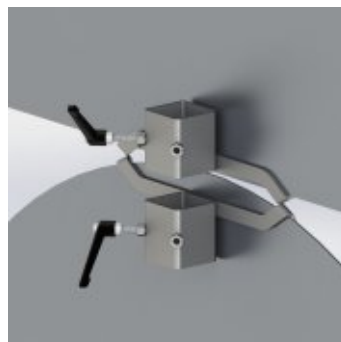
The Universal board holder is extra robust and has a wider span for large boards.

Suitable profiles:

Square:
30mm x 30mm
40mm x 40mm
60mm x 60mm

Round:
Ø33mm
Ø42mm
Ø60mm

Item: 334.327



Conversion kit TOWER

Belt:

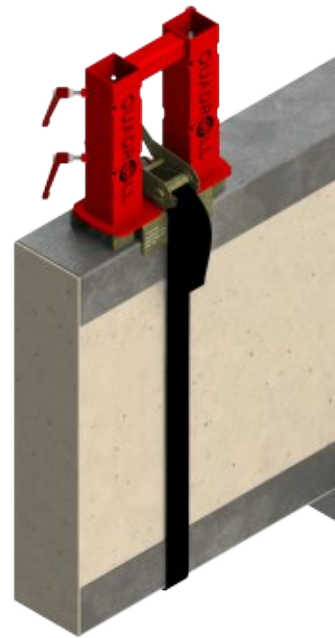
For the QuadRoll TOWER we offer a long belt as a conversion kit. Thus you can convert the TOWER Standard to a TOWER Protec.

length 2.2m

Customer-specific lengths on request

(Kit 334.667 includes lashing belt, fitting and edge protector)

Item: 334.667



Conversion kit's MONKEY

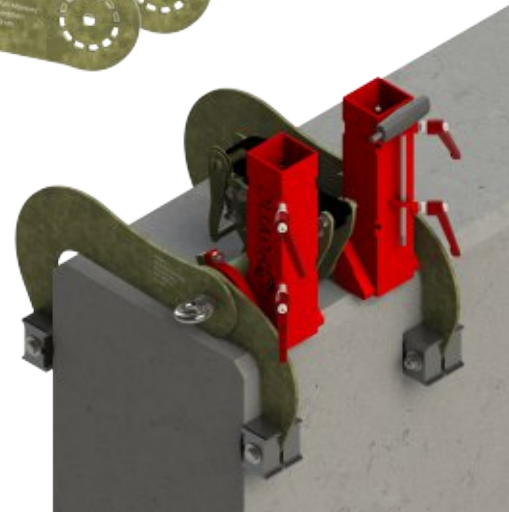
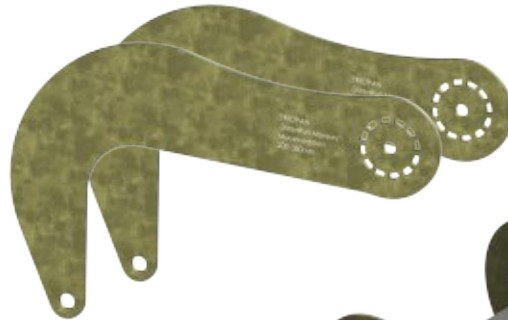
From "standard" to "long arm":

For thick walls the QuadRoll MONKEY "Standard" by loosening the ring nuts simply for MONKEY "long arm" can be retrofitted.

Tell us the thickness of your wall and we will supply the appropriate arms for it.

(Kit 334.776 includes two arms for 200mm - 400mm opening)

Item: 334.776

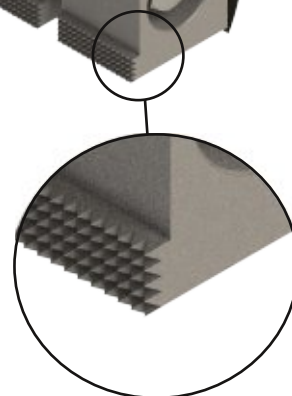
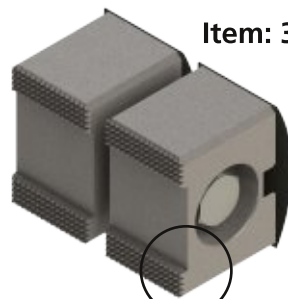


Flu Foot Kit:

For particularly good grip on concrete, stone or even metal. The CNC-milled teeth made of hardened tool steel bite firmly into the rock.

(Kit 351.623 contains 4x the image)

Item: 334.790



TRIOPAN AG
Morgental 653
CH-9323 Steinach
Tel. +41 71 844 16 16
info@triopan.ch
www.triopan.ch